



GME GAMING

STR-M-01

USER MANUAL

HANDBUCH

HANDLEIDING

MANUEL DESCRIPTIF

РУКОВОДСТВО ПОЛЬЗОВАТЕЛЯ

КЕРІВНИЦТВО КОРИСТУВАЧА

INSTRUKCJA OBSŁUGI

UŽIVATELSKÝ MANUÁL



VIBRATION RACING WHEEL WITH PEDALS (PC/PS3/PS4/SWITCH)

LENKRAD MIT VIBRATION (PC/PS3/PS4/SWITCH)

VIBRATIE RACING STUUR MET PEDALEN (PC/PS3/PS4/SWITCH)

VOLANT DE COURSE À VIBRATIONS AVEC PÉDALIER (PC/PS3/PS4/SWITCH)

ИГРОВОЙ РУЛЬ ДЛЯ КОНСОЛЕЙ PLAYSTATION 3/4/SWITCH ИЛИ КОМПЬЮТЕРА С USB-ПОРТОМ

ІГРОВИЙ РУЛЬ З ПЕДАЛЯМИ (PC/PS3/PS4/SWITCH)

KIEROWNICA Z WIBRACJAMI I PEDAŁAMI (PC/PS3/PS4/SWITCH)

VIBRAČNÍ ZÁVODNÍ KOLO S PEDÁLY (PC / PS3 / PS4 / SPÍNAČ)

Features

- Steering wheel with built-in vibration and gear stick
- Several interfaces in one wheel: PS3, PS4, SWITCH, PC (USB)
- Spring-loaded pedals with accelerator and brakes functions
- 270-degree steering angle, 2-axis, joystick, 4-way D-pad and 8 action buttons
- Sturdy heavy construction

Specifications

- Interface: USB
- Wheel rotation: 270 degrees
- Wheel diameter 220 mm (9")
- Power consumption: 5 V DC up to 120 mA
- Steering wheel cable length: 1.8 m
- Foot pedal unit cable length: 1.8 m
- Product size: 41 x 34 x 25 cm (wheel), 35.5 x 20.5 x 11.5 cm (pedals)
- Net weight: 1.8 kg





PRODUCT DESCRIPTION

STEERING WHEEL

The rotation Angle (270 degree).

The wheel have analogue output, such that the actually output is proportional to the movement of the wheel. Please do not try and turn the wheel past its limitations (270 degree turn limiter). Doing so may damage or effectively ruin the steering wheel . Excessive force is NOT necessary to get the most out of your wheel.

MENU BUTTONS

For direct access to the Playstation4 menu in Playstation4.
And for D-INPUT mode and X-INPUT mode switch in PC.

D-Pad

This emulates the D-pad found on most control pads. This is used for navigating through the menus and making menu changes

Mini analog stick.

Analog control stick mounted on the wheel for use with games such as GTA. For avoid the wrong action during playing the games, the analog stick X-axis will disable when the steering wheel is turning more than $\pm 15^\circ$

Action buttons

These buttons correspond to specific game functions detailed, in your software documentation and options menu.

Auto centering function

The Wheel center position is automatically set when switching on your game system

Sensitivity settings:

The sensitivity can be adjusted by turning the Sensitivity dial. The higher the sensitivity, the faster the steering wheel reacts to being turned, i.e. even a small movement of the steering wheel produces a distinct reaction in the screen vehicle and vice versa. You will feel the center sensitivity position when turning.

Vibration feedback

The wheel support realistic vibration feedback for effect-feeling on every crash, bump and turn.

Note: please make sure your game platform and game software are supporting the vibration function.

Mode LED

In PS4/PS3/SWITCH/ANDROID/PC-XINPUT mode the LED is on.
In PC: LED off



Playing on the desk or table

Ensure that the wheel is plugged into the game system. Place the wheel in a comfortable driving position near enough to your TV to ensure visual comfort while playing

Playing from your lap

The wheel construction is designed to be placed directly on your lap with no attachments. Now, just take a seat in your favorite gaming chair after plugging in the game system and switch the power on, and you are off to the races!

Foot Pedal

In PS3 playing mode, the foot pedal can be correspond to L-Pedal= \square / R-Pedal = \times or L-Pedal=L2 / R-Pedal =R2 to support all the games. The default setting is L-Pedal= \square / R-Pedal = \times you can change the setting to L-Pedal=L2 / R-Pedal =R2 by press the “select” and “start” button simultaneously for 3 seconds

Function relocation and return to default value

Function relocation in PS4/PS3/X-INPUT

L1, R1, L2, R2 , L-pedal, R-pedal can be set to \square 、 \circ 、 \times 、 \square 、L1、L2、R1 and R2 with the following procedures:

Press “MENU” and “ \times ” at the same time and hold 3 seconds, the LED will be flashing., indicating the wheel is in setup environment. Press one of the relocation buttons (L1, R1, L2, R2 , L-pedal, R-pedal), for example L1.

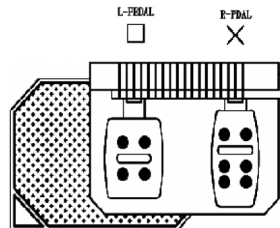
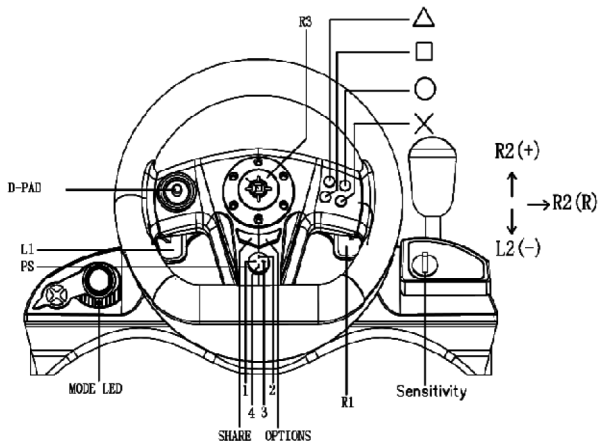
Press a action button, for example '△' button which is desired to be relocation onto the "L1", The LED stop flashing and the setup routine is terminated.

The L1, in this example, will now become the '△' action.

Return to Default Value:

In setup environment, press twice the button which you want to restore, then it done.

BUTTONS LAYOUT



Wheel	PS4	PC	PS3	SWITCH	Android	X-INPUT
		1		X	Y	Y
○	○	2	○	A	B	B
×	×	3	×	B	A	A
□	□	4	□	Y	X	X
L1	L1	5	L1	L	L1	LT
R1	R1	6	R1	R	R1	RT
L2	L2	7	L2	ZL	L2	LB
R2	R2	8	R2	ZR	R2	RB
SELECT	SHARE	9	SELECT	-	SELECT	BACK
START	OPTION	10	START	+	START	START
L3	L3	11	L3	L	L3	LS (LTH)
R3	R3	12	R3	R	R3	RS (RTH)
D-PAD	D-PAD	View-hat	D-PAD	D-PAD	D-PAD	D-PAD
Wheel axis	L-STICK X	X AXIS	L-STICK X	L-STICK X	L-STICK X	L-STICK X
L-Pedal(break)	L2	Y Axis ↓	□	B	L2	LT
R-Pedal (accelerate)	R2	Y Axis ↑	×	A	R2	RT
shift (+, -, R)	(R2,L2,R2)	(8,7,8)	(R2,L2,R2)	(ZR,ZL,ZR)	(R2,L2,R2)	(RB,LB,RB)
PS	PS		PS	home	home	MENU

Note: for the Android this button layout is defined by certain Android device. There may be difference caused because of different Android devices.

INSTALLATION

The Racing wheel includes the steering wheel unit and foot pedal unit, it is quite easy to connect them together. However, first you must switch your game console "OFF" before connecting the Racing Wheel.

Connecting the foot pedal unit to the steering wheel unit.

To simulate the real driving experience, you can use the foot pedal unit to control the acceleration and braking action. To connect this two unit, simply plug the male type plug found on the foot pedal unit into the base of the steering wheel unit.

Connecting the Racing wheel to the Game console.

Plug the cable from the steering wheel unit into the console.

Note: Please ensure that the steering wheel unit is in initial position when switching on your game system. If the steering wheel unit is not in the neutral position, that position will be deemed the neutral position when switching on your game system.

TO PS4:

Before connecting the steering wheel to your game console, you need to turn off the console. Plug the USB connector of the wheel to the PS4 console for PS4 Playing. In this mode, the LED is off

Mark: when connect to PS4, press SELECT+START in same time, can substitute "share" function.

TO PS3:

Before connecting the steering wheel to your game console, you need to turn off the console. Plug USB connector of the wheel to the PS3 console for PS3 playing. In this mode, LED is on.



PC-USB (X-INPUT and D-INPUT):

Plug USB connector of the wheel to your PC for X-INPUT and D-INPUT playing.

X-INPUT mode (default mode)

Mode Led = on . you can play the X-INPUT PC games directly .

Note: if the wheel has switched into D-INPUT mode, just press Menu Button and hold for 5 seconds, the wheel will switch back to X-INPUT mode.

D-INPUT mode

Press Menu Button and hold for 5 Seconds to access into D-INPUT mode, Mode LED = off
you can play the D-INPUT games now !

CAUTION:

1. Do not expose the steering wheel to high temperatures, high humidity or direct sunlight.
(Use in an environment between 5~35°C/41~95°F)
2. Do not allow liquid or small particles to enter the steering wheel.
3. Do not put any heavy objects on the steering wheel.
4. Never disassemble the steering wheel.
5. Do not twist or pull the cable too strongly.
6. Do not throw, drop, or apply strong shock to the steering wheel.

(ENG) Declaration of conformity

This product is tested and complies with the essential requirements of the laws of member states concerning EMC(2014/30/EU), RoHS (2011/65/EU). The CE declaration can be found under www.gembird.eu

(DE) Konformitätserklärung

Dieses Produkt wurde getestet und stimmt mit den grundlegenden Anforderungen der Richtlinie EMC(2014/30/EU), RoHS (2011/65/EU) überein. Die Konformitätserklärung kann auf unserer Webseite www.gembird.eu heruntergeladen werden.

(ES) Declaración de conformidad

Este producto está probado y cumple con los requisitos esenciales de las leyes de los estados miembros con respecto a EMC (2014/30 / UE), RoHS (2011/65 / UE). La declaración CE se puede encontrar en www.gembird.eu

(CZ) Prohlášení o shodě

Tento produkt je testován a splňuje základní požadavky právních předpisů členských států týkajících se EMC (2014/30 / EU), RoHS (2011/65 / EU). Prohlášení CE naleznete na www.gembird.eu

(FR/BE) Déclaration de conformité

Le produit est contrôlé et remplit les exigences des directives nationales et de la directive EMC(2014/30/EU), RoHS (2011/65/EU). La conformité CE a été démontrée et les déclarations correspondantes sont déposées chez le fabricant a: www.gembird.eu

(HR) Izjava o sukladnosti

Ovaj je proizvod testiran i udovoljava osnovnim zahtjevima zakona država članica u vezi EMC-a (2014/30 / EU), RoHS (2011/65 / EU). Izjava CE se može naći pod www.gembird.eu

(IT) Dichiarazione di conformità

Questo prodotto è testato ed è conforme ai requisiti essenziali delle leggi degli stati membri in materia di EMC (2014/30 / UE), RoHS (2011/65 / UE). La dichiarazione CE è disponibile all'indirizzo www.gembird.eu

(PT) Declaração de conformidade

Este produto foi testado e está em conformidade com os requisitos essenciais das leis dos estados membros sobre EMC (2014/30 / EU), RoHS (2011/65 / EU). A declaração CE pode ser encontrada em www.gembird.eu

(PL) Deklaracja zgodności

Ten produkt został przetestowany i jest zgodny z zasadniczymi wymaganiami prawnymi państw członkowskich dotyczącymi EMC (2014/30 / UE), RoHS (2011/65 / UE). Deklaracja CE znajduje się na stronie www.gembird.eu

(RO) Declaratie de conformitate

Acest produs este testat și respectă cerințele esențiale ale legislațiilor statelor membre privind EMC (2014/30 / UE), RoHS (2011/65 / UE). Declarația CE se găsește pe www.gembird.eu

(SK) Vyhlasenie o zhode

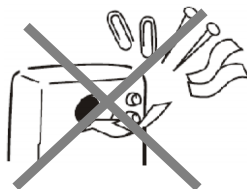
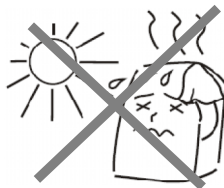
Tento produkt je testovaný a splňa základné požiadavky právnych predpisov členských štátov týkajúcich sa EMC (2014/30 / EU), RoHS (2011/65 / EU). Vyhlasenie CE nájdete na stránke www.gembird.eu

(SL) Izjava o skladnosti

Ta izdelek je preizkušen in ustreza bistvenim zahtevam zakonov držav članic o EMC (2014/30 / EU), RoHS (2011/65 / EU). Izjava CE je na voljo pod www.gembird.eu

(GR) Δήλωση συμμόρφωσης

Αυτό το προϊόν έχει ελεγχθεί και συμμορφώνεται με τις βασικές απαιτήσεις των νομοθεσιών των κρατών μελών όσον αφορά την Ευρωπαϊκή οδηγία g EMC (2014/30 / EU), RoHS (2011/65 / EU). Η δήλωση CE μπορεί να βρεθεί στην διεύθυνση www.gembird.eu



(ENG) Declaration of conformity
This product is tested and complies with the essential requirements of the laws of member states concerning RED (2014/53/EU), RoHS (2011/65/EU). The CE declaration can be found under www.gembird.eu
(DE) Konformitätserklärung
Dieses Produkt wurde getestet und stimmt mit den grundlegenden Anforderungen der Richtlinie RED (2014/53/EU), RoHS (2011/65/EU) überein. Die Konformitätserklärung kann auf unserer Webseite www.gembird.eu heruntergeladen werden.
(ES) Declaración de conformidad
Este producto está probado y cumple con los requisitos esenciales de las leyes de los estados miembros con respecto a RED (2014/53/EU), RoHS (2011/65/EU). La declaración CE se puede encontrar en www.gembird.eu
(CZ) Prohlášení o shodě
Tento produkt je testován a splňuje základní požadavky právních předpisů členských států týkajících se RED (2014/53/EU), RoHS (2011/65/EU). Prohlášení CE naleznete na www.gembird.eu
(FR/BE) Déclaration de conformité
Le produit est contrôlé et remplit les exigences des directives nationales et de la directive RED (2014/53/EU), RoHS (2011/65/EU). La conformité CE a été démontrée et les déclarations correspondantes sont déposées chez le fabricant a: www.gembird.eu
(HR) Izjava o sukladnosti
Ovaj je proizvod testiran i udovoljava osnovnim zahtjevima zakona država članica u vezi RED (2014/53/EU), RoHS (2011/65/EU). Izjava CE se može naći pod www.gembird.eu
(IT) Dichiarazione di conformità
Questo prodotto è testato ed è conforme ai requisiti essenziali delle leggi degli stati membri in materia di RED (2014/53/EU), RoHS (2011/65/EU). La dichiarazione CE è disponibile all'indirizzo www.gembird.eu
(PT) Declaração de conformidade
Este produto foi testado e está em conformidade com os requisitos essenciais das leis dos estados membros sobre RED (2014/53/EU), RoHS (2011/65/EU). A declaração CE pode ser encontrada em www.gembird.eu
(PL) Deklaracja zgodności
Ten produkt został przetestowany i jest zgodny z zasadniczymi wymaganiami prawnymi państw członkowskich dotyczącymi RED (2014/53/EU), RoHS (2011/65/EU). Deklaracja CE znajduje się na stronie www.gembird.eu
(RO) Declarație de conformitate
Acest produs este testat și respectă cerințele esențiale ale legislațiilor statelor membre privind RED (2014/53/EU), RoHS (2011/65/EU). Declarația CE se găsește pe www.gembird.eu
(SK) Vyhlásenie o zhode
Tento produkt je testovaný a spĺňa základné požiadavky právnych predpisov členských štátov týkajúcich sa RED (2014/53/EU), RoHS (2011/65/EU). Vyhlásenie CE nájdete na stránke www.gembird.eu
(SL) Izjava o skladnosti
Ta izdelek je preizkušen in ustreza bistvenim zahtevam zakonov držav članic o RED (2014/53/EU), RoHS (2011/65/EU). Izjava CE je na voljo pod www.gembird.eu
(GR) Δήλωση συμμόρφωσης
Αυτό το προϊόν έχει ελεγχθεί και συμμορφώνεται με τις βασικές απαιτήσεις των νομοθεσιών των κρατών μελών όσον αφορά την Ευρωπαϊκή οδηγία g RED (2014/53/EU), RoHS (2011/65/EU). Η δήλωση CE μπορεί να βρεθεί στην διεύθυνση www.gembird.eu

<p>(ENG) Waste disposal: Do not deposit this equipment with the household waste. Improper disposal can harm both the environment and human health. For information about waste collection facilities for used electrical and electronic devices, please contact your city council or an authorized company for the disposal of electrical and electronic equipment.</p>
<p>(DE) Entsorgungshinweise: Werfen Sie dieses Gerät nicht in den Hausmüll. Unsachgemäße Entsorgung kann sowohl der Umwelt als auch der menschlichen Gesundheit schaden. Informationen zu Sammelstellen für Altgeräte erhalten Sie bei Ihrer Stadtverwaltung oder einer autorisierten Stelle für die Entsorgung von Elektro- und Elektronikgeräten.</p>
<p>(ES) Depósito de basura: No depositare este equipo con la basura doméstica. La eliminación inadecuada puede dañar tanto el medio ambiente como la salud humana. Para obtener información sobre las instalaciones de recolección de desechos para dispositivos eléctricos y electrónicos usados, comuníquese con su ayuntamiento o una empresa autorizada para la eliminación de equipos eléctricos y electrónicos.</p>
<p>(CZ) Nakládání s odpady: Toto zařízení nevkládejte do domovního odpadu. Nesprávná likvidace může poškodit životní prostředí i lidské zdraví. Informace o zařízení pro sběr odpadu použitých elektrických a elektronických zařízení získáte u městské rady nebo autorizované společnosti o likvidaci elektrických a elektronických zařízení.</p>
<p>(FR/BE) Traitement des déchets: Ne jetez pas cet appareil dans les déchets domestiques. Un traitement inapproprié peut être dommageable à l'environnement et à la santé humaine. Vous trouvez des informations sur les centres de rassemblement des appareils vieux chez l'administration municipale ou chez un centre autorisé pour le traitement des appareils électriques ou électroniques.</p>
<p>(HR) Odlaganje smeća: Ovu opremu ne odlažite zajedno s kućnim otpadom. Nepravilno odlaganje može naštetiti okolišu i ljudskom zdravlju. Za informacije o objektima za prikupljanje otpada za rabljenje električne i elektroničke uređaje obratite se gradskom vijeću ili ovlaštenom društvu za odlaganje električne i elektroničke opreme.</p>
<p>(IT) Smaltimento dei rifiuti: Non depositare questa apparecchiatura con i rifiuti domestici. Lo smaltimento improprio può danneggiare sia l'ambiente che la salute umana. Per informazioni sulle strutture di raccolta dei rifiuti per i dispositivi elettrici ed elettronici usati, contattare il comune o una società autorizzata per lo smaltimento delle apparecchiature elettriche ed elettroniche.</p>
<p>(PT) Depósito de lixo: Não deposite este equipamento no lixo doméstico. O descarte inadequado pode prejudicar o meio ambiente e a saúde humana. Para obter informações sobre instalações de coleta de lixo para dispositivos elétricos e eletrônicos usados, entre em contato com o conselho da cidade ou uma empresa autorizada para o descarte de equipamentos elétricos e eletrônicos.</p>
<p>(PL) Utylizacja odpadów: Nie należy deponować tego sprzętu razem z odpadami domowymi. Niewłaściwa utylizacja może zaszkodzić zarówno środowisku, jak i zdrowiu ludzkiemu. Aby uzyskać informacje na temat urządzeń do zbierania zużytych urządzeń elektrycznych i elektronicznych, należy skontaktować się z radą miasta lub upoważnioną firmą w celu usunięcia sprzętu elektrycznego i elektronicznego.</p>
<p>(RO) Eliminarea deșeurilor: Nu depuneți acest echipament cu deșeurile menajere. Eliminarea necorespunzătoare poate dauna atât mediului, cât și sănătății umane. Pentru informații despre instalațiile de colectare a deșeurilor pentru dispozitive electrice și electronice folosite, vă rugăm să contactați consiliul municipal sau o companie autorizată pentru eliminarea echipamentelor electrice și electronice.</p>
<p>(SK) Likvidácia odpadu: Toto zariadenie nevkladajte do domového odpadu. Nesprávna likvidácia môže poškodiť životné prostredie a ľudské zdravie. Informácie o zariadeniach na zber použitého odpadu z elektrických a elektronických zariadení získate od mestského zastupiteľstva alebo od autorizovanej spoločnosti o likvidácii elektrických a elektronických zariadení.</p>
<p>(SL) Odlaganje odpadkov: Te opreme ne odlagajte skupaj z gospodinjskimi odpadki. Nepravilno odstranjevanje lahko škoduje okolju in zdravju ljudi. Za informacije o napravah za zbiranje odpadnih električnih in elektronskih naprav se obrnite na mestni svet ali pooblaščenno podjetje za odstranjevanje električne in elektronske opreme.</p>
<p>(GR) Διαχείριση απορριμμάτων: Μην καταθέτετε αυτόν τον εξοπλισμό στα οικιακά απορρίμματα. Η ακατάλληλη απόρριψη μπορεί να βλάψει τόσο το περιβάλλον όσο και την ανθρώπινη υγεία. Για πληροφορίες σχετικά με τις εγκαταστάσεις συλλογής απορριμμάτων για χρησιμοποιούμενες ηλεκτρικές και ηλεκτρονικές συσκευές, επικοινωνήστε με το δημοτικό συμβούλιο ή μια εξουσιοδοτημένη εταιρεία για τη διάθεση ηλεκτρικών και</p>

(ENG) WARRANTY CONDITIONS

The receipt must clearly list the date of purchase and the part number, in addition it should be printed. Keep the receipt for the entire warranty period since it is required for all warranty claims. During the warranty period the defective items will be credited, repaired or replaced at the manufacturer's expense. Work carried out under the warranty neither extends the warranty period nor starts a new warranty period. The manufacturer reserves the right to void any warranty claim for damages or defects due to misuse, abuse or external impact (falling down, impact, ingress of water, dust, contamination or break). Wearing parts (e.g. rechargeable batteries) are excluded from the warranty. Upon receipt of the RMA goods, Gembird Europe B.V. reserves the right to choose between replacement of defective goods or issuing a credit note. The credit note amount will always be calculated on the basis of the current market value of the defective products.

Gembird Europe B.V. Wittevrouwen 56, 1358CD Almere, The Netherlands

www.gembird.nl/service support@gembird.nl

(DE) GARANTIE BEDINGUNGEN

Die Garantie beträgt 24 Monate ab Verkaufsdatum an den Endverbraucher. Das Kaufdatum und der Gerätyp sind durch eine maschinell erstellte Kaufquittung zu belegen. Bitte bewahren Sie Ihren Kaufbeleg daher für die Dauer der Garantie auf, da Voraussetzung für eine eventuelle Reklamation ist. Innerhalb der Garantiezeit werden alle Mängel, خواهه innerhalb der Garantiezeit, weder durch den Hersteller entweder durch Instandsetzung, Austausch mangelhafter Teile oder im Austausch, behoben. Die Ausführung der Garantieleistung bewirkt weder eine Verlängerung noch einen Neugem der Garantiezeit. Eine Garantieleistung entfällt für Schäden oder Mängel die durch unsachgemäße Handhabung oder durch äußere Einwirkung (Sturz, Schlag, Wasser, Staub, Verschmutzung oder Bruch) herbeigeführt wurden. Verschleißteile (z.B. Akkus) sind von der Garantie ausgenommen. GEMBIRD Deutschland GmbH Coesterweg 54, 59494 Soest, Deutschland. Wenn Sie Hilfe im Umgang mit unseren Produkten benötigen, können Sie uns kostenlos via E-Mail an support@gembird.eu oder über unser Hilfe-Forum erreichen: <http://gembird.com/support/de/>

(ES) CONDICIONES DE GARANTIA

El recibo debe indicar claramente la fecha de compra y el número de pieza, además debe imprimirse. Guarde el recibo durante todo el periodo de garantía, ya que se requiere para todas las reclamaciones de garantía. Durante el periodo de garantía, los artículos defectuosos serán acreditados, reparados o reemplazados por cuenta del fabricante. El trabajo realizado bajo la garantía no extiende el periodo de garantía ni inicia un nuevo periodo de garantía. El fabricante se reserva el derecho de anular cualquier reclamo de garantía por daños o defectos debidos al mal uso, abuso o impacto externo (caída, impacto, ingreso de agua, polvo, contaminación o rotura). Las piezas de desgaste (por ejemplo, baterías recargables) están excluidas de la garantía. Al recibir los productos RMA, Gembird Europe B.V. se reserva el derecho de elegir entre el reemplazo de productos defectuosos o la emisión de una nota de crédito. El monto de la nota de crédito siempre se calculará sobre la base del valor de mercado actual de los productos defectuosos.

Gembird Europe B.V.

Wittevrouwen 56, 1358CD Almere, Países Bajos

www.gembird.nl/service

(CZ) ZARUČENÍ PODMÍNKY

Potvrzení musí jasně uvádět datum nákupu a číslo dílu, navíc je mělo být vytisknuto. Uchovávejte účtenku po celou záruční dobu, protože je vyžadována pro všechny nároky na záruku. Během záruční doby budou vadné položky připsány, opraveny nebo vyměněny na náklady výrobce. Práce prováděné v rámci záruky neprodlužují záruční dobu ani nezahajují novou záruční dobu. Výrobce si vyhrazuje právo zrušit jakýkoli nárok na záruku za škody nebo vady způsobené nesprávným použitím, zneužitím nebo vnějším dopadem (pád, náraz, vniknutí vody, prachu, kontaminace nebo zlomení). Opatřitelné součásti (např. Dobíjecí baterie) jsou ze záruky vyloučeny. Po přijetí zboží RMA si společnost Gembird Europe B.V. vyhrazuje právo vybrat mezi výměnou vadného zboží nebo vystavením dobropisu. Částka dobropisu bude vždy vypočtena na základě aktuálního tržní hodnoty vadných produktů.

Gembird Europe B.V.

Wittevrouwen 56, 1358CD Almere, Nizozemsko

www.gembird.nl/sluzba

(FR)B) CONDITIONS DE GARANTIE

Le reçu doit indiquer clairement la date d'achat et le numéro de pièce, en plus il doit être imprimé. Conservez le reçu pendant toute la période de garantie, car il est requis pour toutes les réclamations de garantie. Pendant la période de garantie, les articles défectueux seront crédités, réparés ou remplacés aux frais du fabricant. Les travaux effectués sous la garantie ne prolongent pas la période de garantie ni ne commencent une nouvelle période de garantie. Le fabricant se réserve le droit d'annuler toute demande de garantie pour dommages ou défauts dus à une mauvaise utilisation, un abus ou un impact externe (chute, impact, pénétration d'eau, poussière, contamination ou rupture). Les pièces d'usure (par exemple les piles rechargeables) sont exclues de la garantie. À la réception des marchandises RMA, Gembird Europe B.V. se réserve le droit de choisir entre le remplacement des marchandises défectueuses ou l'émission d'une note de crédit. Le montant de la note de crédit sera toujours calculé sur la base de la valeur marchande actuelle des produits défectueux.

Gembird Europe B.V. Wittevrouwen 56, 1358CD Almere, Pays-Bas

www.gembird.nl/service

(HR) UVJETI GARANCIJE

Na potvrdi mora biti jasno naveden datum kupnje i broj dijela, osim toga treba biti ispisani. Čuvajte potvrdni čekić cijelo jamstveno razdoblje jer je potrebna za sve garancijske zahtjeve. Tijekom jamstvenog razdoblja neispravni proizvodi bit će vraćeni, popravljani ili zamijenjeni na trošak proizvođača. Rad u sklopu jamstva ni produljuje jamstveno razdoblje ni započinje novo jamstveno razdoblje. Proizvođač zadržava pravo poništiti bilo kakav jamstveni zahtjev za štete ili nedostatke uslijed zlorabe, zlouporabe ili vanjskog utjecaja (pad, pad, prodor vode, prašine, onečišćenja ili puknuća). Nohenje dijelova (npr. Punjeve baterije) izuzimaju se iz jamstva. Nakon primitka robe RMA, Gembird Europe B.V. zadržava pravo izbora između zamjene neispravne robe ili izdavanja kreditne liste. Iznos kreditne bilješke uvijek će se izračunavati na temelju trenutne tržišne vrijednosti neispravnih proizvoda.

Gembird Europe B.V. Wittevrouwen 56, 1358CD Almere, Nizozemka

www.gembird.nl/service

(IT) CONDIZIONI DI GARANZIA

La ricevuta deve elencare chiaramente la data di acquisto e il numero di parte, inoltre deve essere stampata. Conservare la ricevuta per l'intero periodo di garanzia poiché è necessaria per tutti i reclami in garanzia. Durante il periodo di garanzia gli articoli difettosi verranno accreditati, riparati o sostituiti a spese del produttore. I lavori eseguiti in garanzia non prolungano il periodo di garanzia.



VIBRATION RACING WHEEL WITH PEDALS (PC/PS3/PS4/SWITCH)

né inizio un nuovo periodo di garanzia. Il produttore si riserva il diritto di annullare qualsiasi richiesta di garanzia per danni o difetti dovuti a uso improprio, abuso o impatto esterno (caduta, innaffiamento, ingresso di acqua, polvere, contaminazione o rottura). Le parti soggette ad usura (ad es. Batterie ricaricabili) sono escluse dalla garanzia. Al ricevimento della merce RMA, Gembird Europe B.V. si riserva il diritto di scegliere tra la sostituzione di merce difettosa o l'emissione di una nota di accredito. L'importo della nota di credito sarà sempre calcolato sulla base dell'attuale valore di mercato dei prodotti difettosi.

Gembird Europe B.V. Wittevrouwen 56, 1358CD Almere, Paesi Bassi

www.gembird.nl/service

(PT) CONDIÇÕES DE GARANTIA

O recibo deve listar claramente a data da compra e o número da peça, além disso, deve ser impresso o Guia RMA recibo durante todo o período de garantia, pois é necessário para todas as reivindicações de garantia. Durante o período de garantia, os itens defeituosos serão creditados, reparados ou substituídos às custas do fabricante. O trabalho realizado sob a garantia não prolonga o período da garantia nem inicia um novo período de garantia. O fabricante reserva-se o direito de anular qualquer reivindicação de garantia por danos ou defeitos devido a uso indevido, abuso ou impacto externo (queda, impacto, entrada de água, poeira, contaminação ou quebra). As peças desgastadas (por exemplo, baterias recarregáveis) estão excluídas da garantia. Após o recebimento das mercadorias RMA, a Gembird Europe B.V. se reserva o direito de escolher entre a substituição de mercadorias defeituosas ou a emissão de uma nota de crédito. O valor da nota de crédito será sempre calculado com base no valor atual de mercado dos produtos defeituosos.

Gembird Europe B.V. Wittevrouwen 56, 1358CD Almere, Países Baixos

www.gembird.nl/service

(PL) WARUNKI GWARANCJI

Potwierzenie musi wyraźnie zawierać datę zakupu i numer części, a ponadto powinno zostać wydrukowane. Zachowaj paragon przez cały okres gwarancji, ponieważ jest on wymagany w przypadku wszystkich roszczeń gwarancyjnych. W okresie gwarancyjnym wadliwe elementy zostaną zapisane, naprawione lub wymienione na koszt producenta. Prace przeprowadzone w ramach gwarancji nie przedłużają okresu gwarancji ani nie rozpoczynają nowego okresu gwarancji. Producent zastrzega sobie prawo do unieważnienia wszelkich roszczeń gwarancyjnych za szkody lub wady spowodowane niewłaściwym użytkowaniem, niewłaściwym użytkowaniem lub oddziaływaniem zewnętrznym (upadek, uderzenie, wnikanie wody, kurz, zanieczyszczenia lub pęknięcia). Części zużywające się (np. Akumulatory) są wyłączone z gwarancji. Po otrzymaniu towarów RMA, Gembird Europe B.V. zastrzega sobie prawo wyboru między wymianą wadliwych towarów lub wystawieniem noty kredytowej. Kwota noty kredytowej będzie zawsze obliczana na podstawie bieżącej wartości rynkowej wadliwych produktów.

Gembird Europe B.V.

Wittevrouwen 56, 1358CD Almere, Holandia

www.gembird.nl/service

(RO) CONDIȚII DE GARANȚIE

Chitanța trebuie să enumere clar data achiziției și numărul piesei, în plus, trebuie să fie tipărită. Păstrați chitanța pe întreaga perioadă de garanție, deoarece este necesară pentru toate cererile de garanție. În perioada de garanție, articolele defecte vor fi creditate, reparate sau înlocuite pe cheltuiela producătorului. Lucrările efectuate în cadrul garanției nu prelungesc perioada de garanție și nici nu încep o nouă perioadă de garanție. Producătorul își rezervă dreptul de a anula orice cerere de garanție pentru daune sau defecte cauzate de abuz, abuz sau impact extern (cădere, impact, intrare de apă, praf, contaminare sau rupe). Piesele de uzură (de exemplu, baterii reîncărcabile) sunt excluse din garanție. La primirea mărfurilor RMA, Gembird Europe B.V. își rezervă dreptul de a alege între înlocuirea mărfurilor defecte sau emiterea unei note de credit. Valoarea notei de credit va fi calculată în funcție de baza valorii curente de piață a produselor defecte.

Gembird Europe B.V. Wittevrouwen 56, 1358CD Almere, Olanda

www.gembird.nl/service

support@gmbd.nl

(SK) PODMIENKY ZÁRUKY

Potvrdenie musí jasne uvádzať dátum nákupu a číslo dielu, okrem toho by malo byť vytlačené. Uchovajte užitkový poukaz po celý záručný dobu, pretože sa využije pri všetkých reklamáciách. Počas záručnej doby budú chýbné položky pripísané, opravené alebo vymenené na náklady výrobcu. Práce vykonávané na základe záruky nepredlžujú záručný lehotu ani nezahŕňajú novú záručnú lehotu. Výrobca si vyhradzuje právo výbodu akýchkoľvek nárok na záruku za škody alebo chyby spôsobené nesprávnym použitím, zneužitím alebo vonkajším dopadom (pad, náraz, vniknutie vody, prachu, kontaminácie alebo zomrenia). Opotrebované časti (napr. Nabíjateľné batérie) sú zo záruky vylúčené. Po prevzatí tovaru RMA si spoločnosť Gembird Europe B.V. vyhradzuje právo na výber medzi výmenou vadného tovaru alebo vystávaním dobropisu. Suma dobropisu sa vždy vypočíta na základe aktuálnej trhovej hodnoty chýbnych produktov.

Gembird Europe B.V. Wittevrouwen 56, 1358CD Almere, Holandsko

www.gembird.nl/service

(SL) POGOJI GARANCJE

V prejemu mora biti jasno naveden datum nakupa in številka dela, poleg tega pa mora biti natisnjeno. Potrdilo hranite za celotno garancijsko obdobje, saj je potrebno za vse garancijske zahteve. V garancijskem obdobju bodo okvarjeni artikli na račun proizvajalca nakazani, popravljani ali zamenjani. Dela, opravljena v okviru garancije, niti ne podaljšajo garancijske dobe niti ne začnejo novega garancijskega obdobja. Proizvajalec si pridržuje pravico, da razveljavi kakršne koli garancijske zahteve za škodo ali napake zaradi zlorabe, zlorabe ali zunanjih vplivov (padec, trk, voder vode, prah, onesnaženost ali zomr). Nosilci delov (npr. Akumulatorske baterije) so izključeni iz garancije. Po prejemu blaga RMA si podjetje Gembird Europe B.V. pridržuje pravico izbrati med zamenjavo pokvarjenega blaga ali izdajo dobropisa. Znesek dobropisa bo vedno izračunan na podlagi trenutne tržne vrednosti pokvarjenih izdelkov.

Gembird Europe B.V. Wittevrouwen 56, 1358CD Almere, Nizozemska

www.gembird.nl/service

(GR) ΟΡΟΙ ΕΓΓΥΗΣΗΣ

Η απόδειξη πρέπει να αναφέρει σαφώς την ημερομηνία αγοράς και το αριθμό ανατομολογικό, επιπλέον θα πρέπει να εκτυπωθεί. Διατηρήστε την απόδειξη για ολόκληρη την περίοδο εγγύησης, καθώς απαιτείται για όλες τις αιτήσεις εγγύησης. Κατά τη διάρκεια της περιόδου εγγύησης τα ελαττωματικά είδη θα πιστωθούν, θα επισκευαστούν ή θα αντικατασταθούν με έξοδα του κατασκευαστή. Ο κατασκευαστής μπορεί να αρνηθεί οποιαδήποτε αίτηση εγγύησης που περιλαμβάνει ζητήματα που οφείλονται σε κακή χρήση ή σε φυσική φθορά. Τα εξοσθέντα μέρη (π.χ. Ακμολογικές μπαταρίες) εξαιρούνται από την εγγύηση. Με την παραλαβή των προϊόντων RMA, η Gembird Europe B.V. διατηρεί το δικαίωμα να επιλέξει μεταξύ αντικατάστασης ελαττωματικών αγαθών ή έκδοσης πιστωτικού σημειώματος. Το ποσό της πιστωτικής σημείωσης θα υπολογιστεί πάντα με βάση την τρέχουσα αγορά για όλα τα ελαττωματικά προϊόντων.

Gembird Europe B.V. Wittevrouwen 56, 1358CD Almere, Ολλανδία

www.gembird.nl/service